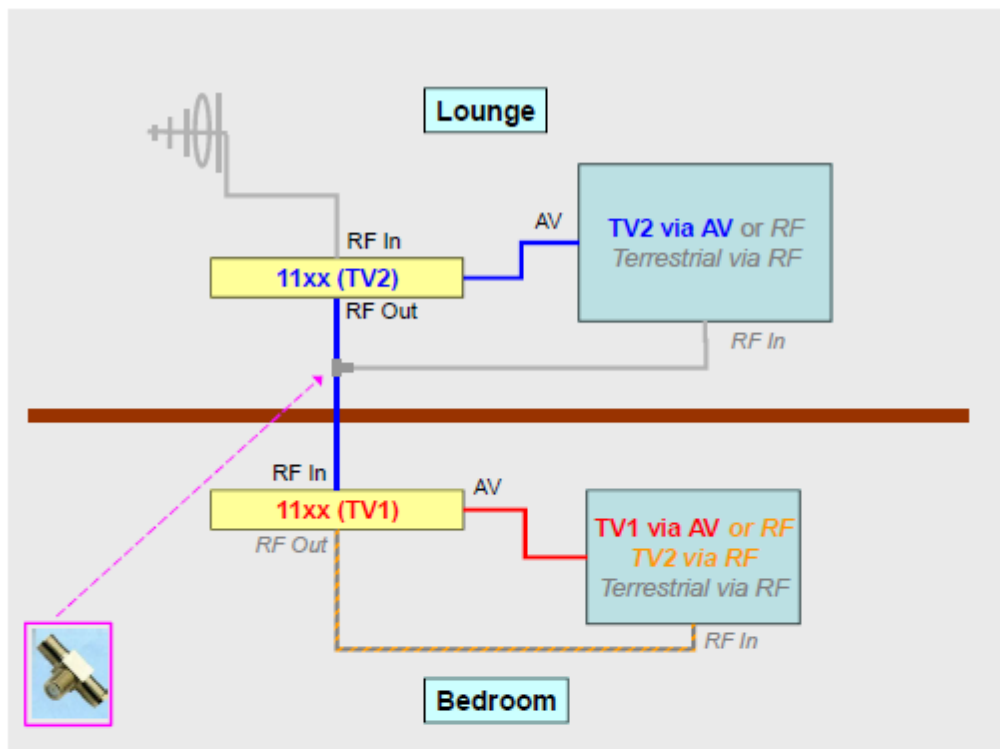


INSTALLATION 1A (11XX + 11XX DECODERS IN SEPARATE ROOMS)

Note: Connections to the Satellite dish are not shown. See appendix A "LNB Installation Options" for options on connecting the decoders to the satellite dish.



Advantages

- Each room has totally independent access to all live MultiChoice services.
- Each room has access to the best possible picture and sound quality.
- It is possible to view / monitor and control TV2 services from the bedroom.
- TV1 is private and cannot be viewed from the lounge.

Disadvantages

- TV1 services cannot be viewed from the lounge.

Alternative: If the requirement is to allow all decoder outputs to be available everywhere, or to split the signal to more TVs (3rd, etc.), see installation 3A for a solution.

Notes

- Grey and orange items are optional and need only be included if that additional functionality is required.
- The banded line just indicates that the cable carries multiple signals.
- The default RF channel on at least one decoder will have to be changed.
- Purple lines and blocks indicate suggested components. For more information, see Appendix B – Splitting and Combining of Signals.

SETTINGS

Suggested Primary/ Secondary

There is no real technical reason to choose one over the other. Choose as primary the one on which you least want to lose viewing, or the one you intend taking with you on holiday.

Primary Settings

- Set "Communication Port" to RF IN
- Set "Remote Mode 1" to Accept
- Set "Remote Mode 2" to Relay
- Set "Remote Mode 3" to Ignore
- Set "Remote Mode 4" to Ignore

Secondary Settings

- Set "Communication Port" to RF OUT
- Set "Remote Mode 1" to Ignore
- Set "Remote Mode 2" to Accept
- Set "Remote Mode 3" to Ignore
- Set "Remote Mode 4" to Ignore

USING XTRAVIEW

Viewing terrestrial channels at any TV (optional)

- Just switch TV to the correctly tuned RF channel.

To view TV2 in the lounge

- Switch TV to AV.
- Use TV2 on the remote control.

To view TV1 in the bedroom

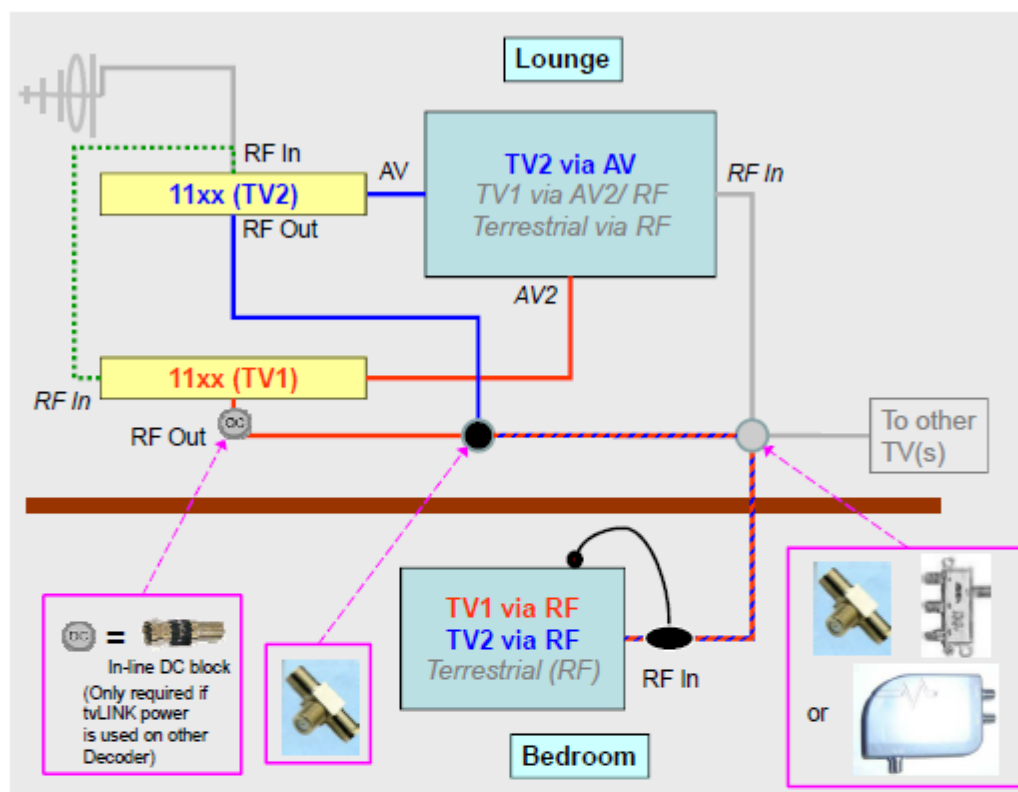
- Switch TV to AV.
- Use TV1 mode on the remote control.

To view TV2 in the bedroom (optional)

- Switch the TV to the channel tuned to receive the RF signal from the secondary (TV2) decoder.
- Use TV2 mode on the remote control. (The bedroom decoder will relay TV2 commands to the lounge decoder.)
- Note: Changing channels will affect viewing in the lounge.

INSTALLATION 1B (11XX + 11XX DECODERS IN THE SAME ROOM)

Note: Connections to the Satellite dish are not shown. See appendix A "LNB Installation Options" for options on connecting the decoders to the satellite dish.



Advantages

- Each room has access to all live MultiChoice services from either decoder.
- Bedroom installation requires just a single cable.

Disadvantages

- Bedroom viewing is restricted to RF (terrestrial analogue) quality video and mono audio.
- This installation requires a TV eye eye or a remote blaster (not included with the decoders) for relaying remote commands from the 2nd environment.

Notes

- The dark green dotted line indicates an alternative way of linking the decoders for the heartbeat. If a terrestrial antenna is not required, this would be the recommended way of connecting the decoders to ensure a trouble-free heartbeat.
- Grey items are optional and need only be included if that additional functionality is required.
- The default RF channel on at least one decoder will have to be changed.
- The banded line just indicates that the cable carries multiple signals.
- Purple lines and blocks indicate suggested components. For more information, see Appendix B – Splitting and Combining of Signals.

SETTINGS

Suggested Primary/ Secondary

There is no real technical reason to choose one over the other. Choose as primary the one on which you least want to lose viewing, or the one you intend taking with you on holiday.

Primary Settings

- Set "Communication Port" to RF OUT (If using the optional connection, set to RF IN)
- Set "Remote Mode 1" to Accept
- Set "Remote Mode 2" to Ignore
- Set "Remote Mode 3" to Ignore
- Set "Remote Mode 4" to Ignore

Secondary Settings

- Set "Communication Port" to RF OUT (If using the optional connection, set to RF IN)
- Set "Remote Mode 1" to Ignore
- Set "Remote Mode 2" to Accept
- Set "Remote Mode 3" to Ignore
- Set "Remote Mode 4" to Ignore
- Set TV eye to ON* This setting could alternatively be activated on the primary instead - as long as it is active on at least one decoder - in which case the DC block would then have to move to the secondary decoder. (*Only applicable if using a TV eye)
Note: On older software the TV eye setting is greyed out when the Communications port is set to RF IN. As all decoder models may not have been upgraded by the time you read this, it is possible that you will not be able to use the TV eye power and the RF IN port at the same time.

USING XTRAVIEW

Viewing terrestrial channels at any TV (optional)

- Just switch TV to the correctly tuned RF channel.

To view TV2 in the lounge

- Switch TV to AV.
- Use TV2 mode on the remote control.

To view TV1 in the lounge

- Switch TV to AV2/ RF.
- Use TV1 mode on the remote control.

To view TV1 in the bedroom (or other TVs)

- Switch the TV to the channel tuned to receive the RF signal from the primary (TV1) decoder.
- Use TV1 mode on the remote control. (TV eye or Remote blaster will relay the commands to the decoders).
- Note: Changing channels may affect viewing in the lounge.

To view TV2 in the bedroom (or other TVs):

- Switch the TV to the channel tuned to receive the RF signal from the secondary (TV2) decoder.
- Use TV2 mode on the remote control (TV eye or Remote blaster will relay the commands to the decoders.)
- Note: Changing channels may affect viewing in the lounge.