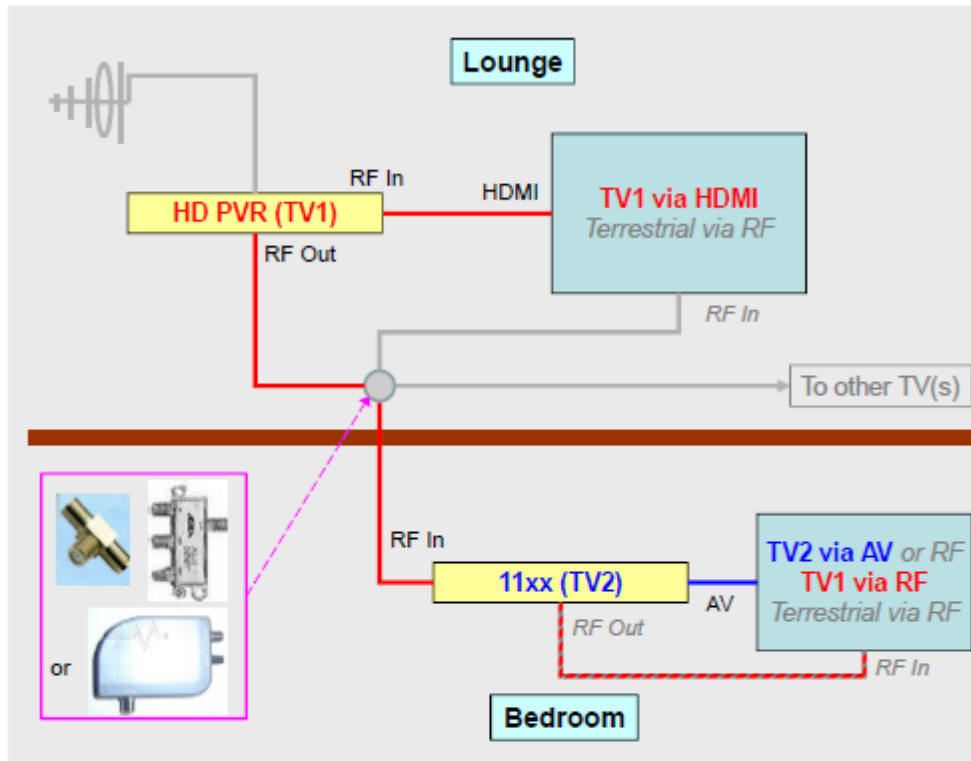


INSTALLATION 2A (HD PVR + 11XX DECODER IN SEPARATE ROOMS)

Note: Connections to the Satellite dish are not shown. See appendix A "LNB Installation Options" for options on connecting the decoders to the satellite dish.



Advantages

- Each room has totally independent access to all live MultiChoice services.
- Each room has access to the best possible picture and sound quality.
- It is possible to access HD PVR (TV1) services from the bedroom.
- TV2 is private and cannot be viewed from the lounge.

Disadvantages

- TV2 services cannot be viewed from the lounge.
- Only TV1 (HD PVR) services can be viewed on a 3rd TV.

Alternative: If the requirement is to allow all decoder outputs to be available everywhere, see installation 3A for a solution.

Notes

- Grey items are optional and need only be included if that additional functionality is required.
- The banded line just indicates that the cable carries multiple signals.
- The default RF channel on at least one decoder will have to be changed.
- The decoders can be swapped around (i.e. PVR in bedroom and 11xx in lounge)
- Purple lines and blocks indicate suggested components. For more information, see Appendix B – Splitting and Combining of Signals.

SETTINGS

Suggested Primary/ Secondary

It is suggested that the HD PVR is used as the primary – it prevents any recordings from being lost due to any possible failure of the link between the decoders and also enables you to take the PVR (and all its recorded content) with you on holiday.

Primary Settings

- Set "Communication Port" to RF OUT
- Set "Remote Mode" to TV1
- Set "Relay Remote Commands" to OFF
- Set "Accept Relayed Commands" to ON

Secondary Settings

- Set "Communication Port" to RF IN
- Set "Remote Mode 1" to Relay
- Set "Remote Mode 2" to Accept
- Set "Remote Mode 3" to Ignore
- Set "Remote Mode 4" to Ignore

USING XTRAVIEW

Viewing terrestrial channels at any TV (Optional)

- Just switch TV to the correctly tuned RF channel.

To view TV1 in the lounge

- Switch TV to HDMI.
- Use TV1 mode on the remote control.

To view TV2 in the bedroom (or other TVs)

- Switch TV to AV.
- Use TV2 mode on the remote control.

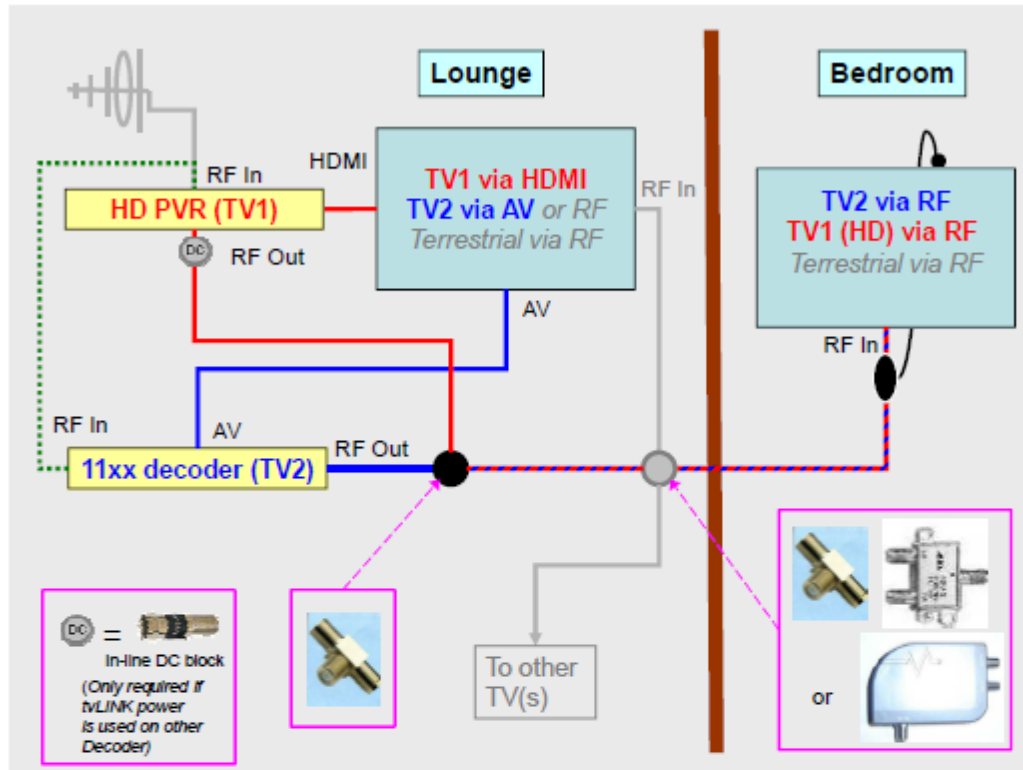
To view TV1 in the bedroom (or other TVs) (optional):

- Switch the TV to the channel tuned to receive the RF signal from the HD PVR decoder.
- Use TV1 mode on the remote control.

Note: Changing channels will affect viewing in the lounge

INSTALLATION 2B (HD PVR + 11XX DECODER IN THE SAME ROOM)

Note: Connections to the Satellite dish are not shown. See appendix A "LNB Installation Options" for options on connecting the decoders to the satellite dish.



Advantages

- Each room has totally independent access to all live MultiChoice services.
- Only a single cable is required to the 2nd room.
- PVR services can be viewed and controlled from the bedroom as well.

Disadvantages

- The bedroom will be able to view RF (terrestrial analogue) quality video and mono audio only.
- This installation requires a TV eye or a remote blaster (not included with the decoders) for relaying remote commands from the 2nd environment.

Notes

- The dark green dotted line indicates an alternative way of linking the decoders for the heartbeat. If a terrestrial antenna is not required, this would be the recommended way of connecting the decoders to ensure a trouble-free heartbeat.
- All grey items are optional and need only be included if that additional functionality is required.
- The default RF channel on at least one decoder will have to be changed.
- The banded line just indicates that the cable carries multiple signals.
- Purple lines and blocks indicate suggested components. For more information, see Appendix B – Splitting and Combining of Signals.

SETTINGS

Suggested Primary/ Secondary

It is suggested that the HD PVR is used as the primary – it prevents any recordings from being lost due to any possible failure of the link between the decoders and also enables you to take the PVR (and all its recorded content) with you on holiday.

Primary Settings

- Set "Communication Port" to RF OUT (If using the optional connection, set to RF IN)
- Set "Remote Mode" to TV1
- Set "Relay Remote Commands" to OFF
- Set "Accept Relayed Commands" to ON*

Secondary Settings

- Set "Communication Port" to RF OUT (If using the optional connection, set to RF IN)
- Set "Remote Mode 1" to Ignore
- Set "Remote Mode 2" to Accept
- Set "Remote Mode 3" to Ignore
- Set "Remote Mode 4" to Ignore

* Applicable if a TV eye is used. If so, one of the decoders must also have its TV eye setting switched ON in order to power the TV eye in the 2nd room.

USING XTRAVIEW

Viewing terrestrial channels at any TV (Optional)

- Just switch TV to the correctly tuned RF channel.

To view TV1 in the lounge

- Switch TV to HDMI.
- Use TV1 mode on the remote control.

To view TV2 in the lounge (Optional)

- Switch TV to AV.
- Use TV2 mode on the remote control.

To view TV1 in the bedroom (or other TVs)

- Switch TV to the RF channel tuned to the TV1 decoder.
- Use TV1 mode on the remote control (TV eye or Remote blaster will relay the commands to the decoders)

To view TV2 in the bedroom (or other TVs)

- Switch TV to the RF channel tuned to the TV2 decoder.
- Use TV2 mode on the remote control (TV eye or Remote blaster will relay the commands to the decoders)