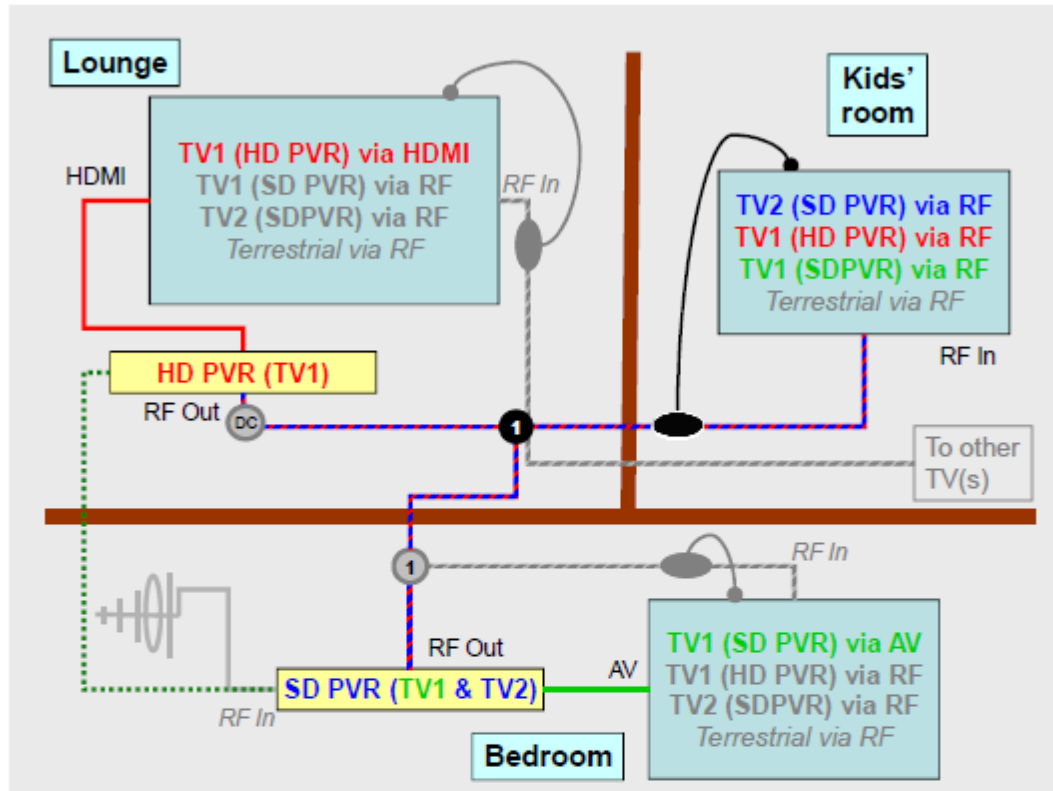
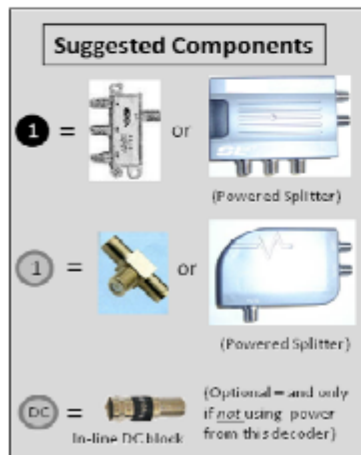


INSTALLATION 4A (HD PVR + SD PVR IN SEPARATE ROOMS)

Note: Connections to the Satellite dish are not shown. See appendix A "LNB Installation Options" for options on connecting the decoders to the satellite dish.



Note: Grey items are optional



Advantages

- Three rooms with totally independent access including PVR functionality to all MultiChoice services.
- Optimum viewing experience possible in two rooms.
- HD and SD PVR recorded content can be accessed from all TVs.

Disadvantages

- To avoid clashes in remote control commands, the SD PVR has to be set to listen to the SD PVR remote only. The HD PVR only listens to the HD PVR remote. This means that two remotes (one for SD and one HD) are required in rooms where access is required to both PVR's. (Note: The HD PVR remote can emulate the SD PVR, (see page 5) - so a properly programmed HD PVR remote can also be used instead of two remotes).
- Additional TV eyes and HD remotes may have to be purchased.

Notes

- The dark green dotted line indicates an alternative way of linking the decoders for the heartbeat. If a terrestrial antenna is not required and an additional cable is no issue, this could be used to connect the decoders. There is attenuation at the SD PVR side as the heartbeat has to pass through the RF tuner to get from RF IN to RF OUT where it can be detected, but depending on the complexity and components used in the rest of the system, it may result in a more reliable heartbeat (and relay of remote commands).
- All grey items are optional and need only be included if that additional functionality is required.
- The default RF channel setting on at least one decoder will have to be changed.
- The striped lines are still single cables - the different colours just indicate that multiple channels are carried in that cable.
- The same functionality may be obtainable using a combination of remote / AV blasters. Consult your local remote/ AV blaster salesperson for a solution.

SETTINGS

Suggested Primary/ Secondary

The HD PVR decoder has to be the primary due a hardware limitation on the SD PVR.

HD PVR Settings

- Set "Communication Port" to RF OUT (If using the optional connection, set to RF IN)
- Set "Remote Mode" to TV1
- Set "Relay Remote Commands" to OFF
- Set "Accept Relayed Commands" to TV1

SD PVR Settings

- Set "Remote Mode" to "SD Remote only"
- TV eye setting must be ENABLED.

USING XTRAVIEW

Viewing terrestrial channels at any TV (Optional)

- Just switch the TV to the correctly tuned RF channel.

To view TV1 (HD PVR) in the lounge

- Switch TV to HDMI.
- Use TV1 mode on the HD PVR remote control.

To view TV2 or TV1 (from the SD PVR) in the lounge

- Switch TV to the RF channel tuned to the TV1 or TV2 services of the SD PVR.
- Use 2A, B, C or D (for TV2) or 1A, B, C or D (for TV1) on the SD PVR remote control. Commands go to SD PVR via the TV eye.

To view TV1 (SD PVR) in the bedroom

- Switch TV to AV.
- Use TV1 mode (1A, B, C or D) on the SD PVR remote control.

To view TV1 (HD PVR) in the bedroom (optional)

- Switch TV to the RF channel tuned to the HD PVR.
- Use the TV1 mode on a HD PVR remote control. (TV eye will transfer commands to the HD PVR).

To view TV2 (SD PVR) in the bedroom

- Switch TV to AV2 (if available) or the RF channel tuned to the TV2 services of the SD PVR.
- Use TV2 mode (2A, B, C or D) on the SD PVR remote on the SD PVR remote control.

To view TV2 (SD PVR) in the kids' room

- Switch TV to the RF channel tuned to the TV2 services of the SD PVR.
- Use TV2 mode (2A, B, C or D) on the SD PVR remote on the SD PVR remote control. (TV eye will relay the commands.)

To view TV1 (HD PVR) in the kids' room

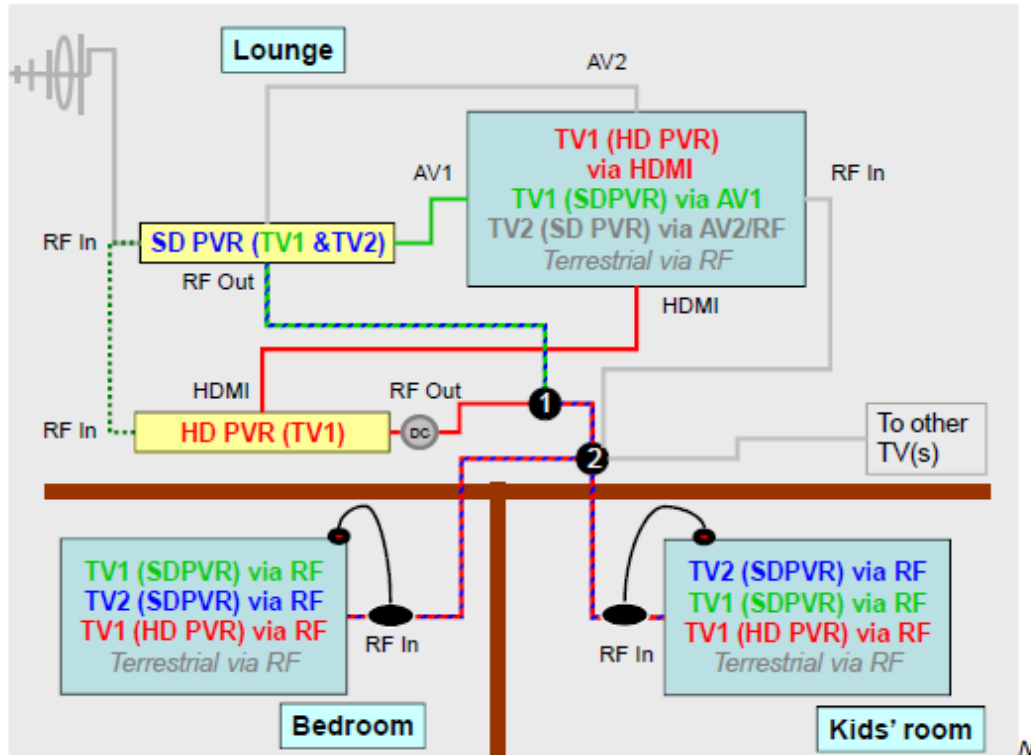
- Switch TV to the RF channel tuned to the HD PVR.
- Use TV1 mode on a HD PVR remote. (TV eye will relay the commands.)

To view TV1 (SD PVR) in the kids' room

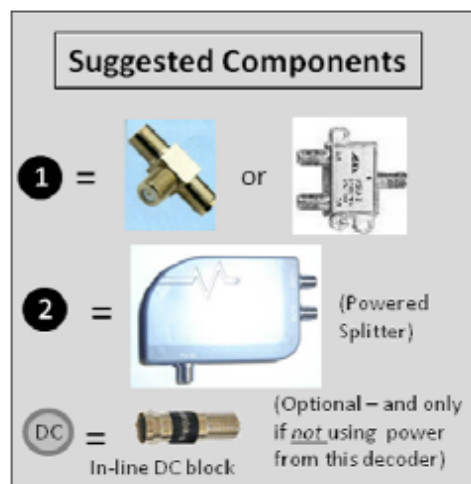
- Switch TV to the RF channel tuned to the TV1 services of the SD PVR.
- Use TV1 mode (1A, B, C or D) on the SD PVR remote on the remote control. (TV eye will relay the commands.)

INSTALLATION 4B (HD PVR + SD PVR IN THE SAME ROOM)

Note: Connections to the Satellite dish are not shown. See appendix A "LNB Installation Options" for options on connecting the decoders to the satellite dish.



Note: Grey items are optional



Advantages

- Three rooms with totally independent access including PVR functionality to all MultiChoice services.
- HD and SD PVR recorded content can be accessed from all TVs.

Disadvantages

- To avoid clashes in remote control commands, the SD PVR has to be set to listen to the SD PVR remote only. The HD PVR only listens to the HD PVR remote. This means that two remotes (one for SD and one HD) are required in rooms where access is required to both PVRs. (Note: The HD PVR remote can emulate the SD PVR, (see page 5) - so a properly programmed HD PVR remote can also be used instead of two remotes)
- Viewing at 2nd and 3rd points is restricted to RF (terrestrial analogue) quality video and mono audio.
- Additional TV eyes and HD remotes may have to be purchased

Notes

- The dark green dotted line indicates an alternative way of linking the decoders for the heartbeat. If a terrestrial antenna is not required and an additional cable is no issue, this could be used to connect the decoders. There is attenuation at the SD PVR side as the heartbeat has to pass through the RF tuner to get from RF IN to RF OUT where it can be detected, but depending on the complexity and components used in the rest of the system, it may result in a more reliable heartbeat (and relay of remote commands).
- All grey items are optional and need only be included if that additional functionality is required.
- The default RF channel setting on at least one decoder will have to be changed.
- The striped lines are still single cables - the different colours just indicate that multiple channels are carried in that cable.
- The same functionality may be obtainable using a combination of remote / AV blasters. Consult your local remote/ AV blaster salesperson for a solution.

SETTINGS

Suggested Primary/ Secondary

The HD PVR decoder has to be the primary due a hardware limitation on the SD PVR.

HD PVR Settings

- Set "Communication Port" to RF OUT (If using the optional connection, set to RF IN)
- Set "Remote Mode" to TV1
- Set "Relay Remote Commands" to OFF
- Set "Accept Relayed Commands" to TV1

SD PVR Settings

- Set "Remote Mode" to "SD Remote only"
- TV eye setting must be ENABLED.